



OPTIONAL

MBL160

Excellent optical efficiency

The MBL160 is a LED marine flashing lantern of short and medium range, with a great optical efficiency and low consumption, fitted with LED diodes of high intensity, reaching a maximum range of 12 nautical miles.

Low consumption

Ideal for on- and off-shore solar beaconing applications requiring a low consumption, such as channels, harbour entrances, jetties, piers, buoys, structures, fish farms, etc.

Long service life

Its luminous source consists of an innovating lens system especially designed to take the maximum profit of LED diodes. Manufactured with high-quality and resistant materials, the MBL160 provides a long service life under harsh marine conditions.

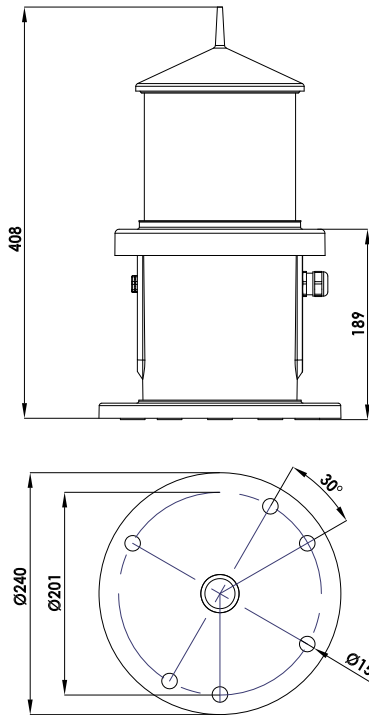
Designed according to IALA Recommendations.



FEATURES

- *High-efficiency luminous system.
Up to 12 nm (T=0.74), 16 nm (T=0.85).*
- *360° horizontal output.*
- *Average operation lifetime over 10 years.*
- *Internal photocell adjustable in lux.*
- *IP 68 watertightness degree (immersion resistant).*
- *Linear adjustment of luminous intensity.*
- *Double RS-232 serial port for setting adjustments by PC and remote monitoring system.*
- *Programming, configuration and operating status via PC, Bluetooth or IR programmer as an option.*
- *Ready to integrate remote monitoring via GSM, UHF, satellite or AIS AtoN, synchronization module via GPS.*
- *Short-circuit, reverse-polarity and transient over-voltage protections.*
- *PATENTED OPTICAL SYSTEM.*

MBL160



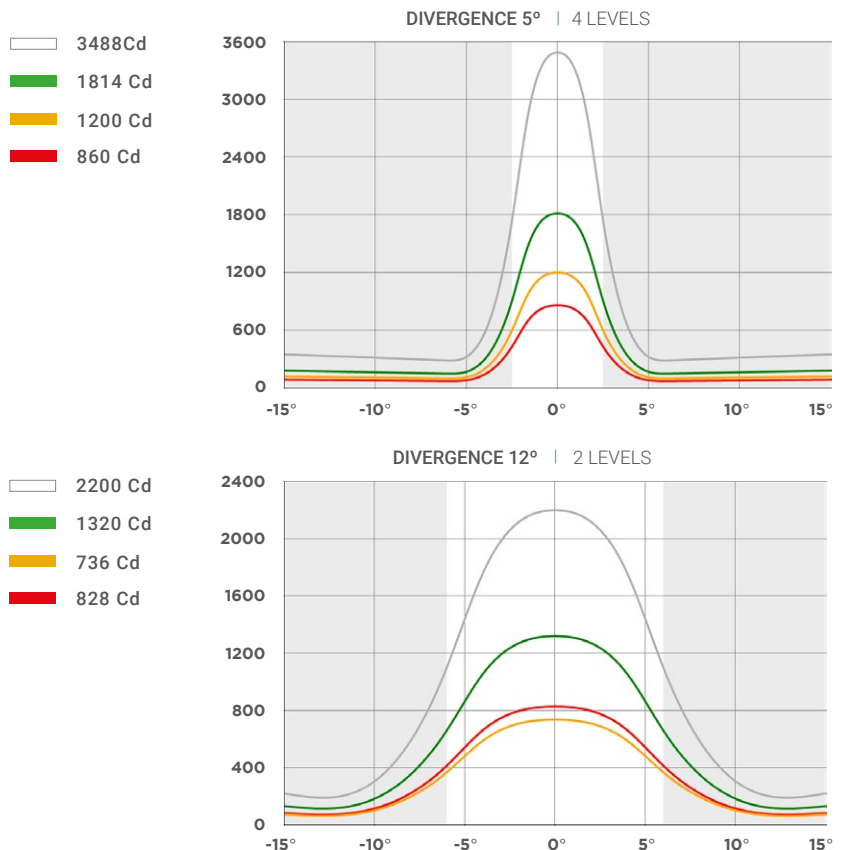
Technical Features

Light source:	3 to 12 nos. ultra-bright LED diodes, with high-precision acrylic lens, distributed in up to four levels.
Luminous range:	Up to 12 nm (T=0.74) 16 nm (T=0.85).
Vertical divergence:	From 5° to 12° (50% I ₀).
LED average life:	More than 100.000 hours.
Power supply:	From 9 to 36 V.
Lantern consumption:	From 6 to 24 W.
Flash rhythms:	256 (6 nos. user selectable).
Base:	Glass-fibre reinforced polyamide PA66-GF30.
Lens cover:	Methacrylate, UV stabilised.
Watertightness degree:	IP 68.
Programming:	PC, Bluetooth, or IR programmer as an option.

Options

- Removable bird deterrent as an option.
- PC programming kit.
- RS-485 MODBUS serial port.
- Marine aluminium base.
- Other specifications available under request.
- Other divergences on request.
- MBL160-HD (up to 12° divergence).
- MBL160-SYNC (GPS synchronisation).
- MBL160-TG (GSM remote monitoring).
- MBL160-TR (Radio remote monitoring).
- MBL160-TS (Satellite remote monitoring).
- MBL160-AIS (AIS AtoN).

Peak intensities (Cd)



! Specifications subject to change without previous notice.