

MBL400C

Excellent optical efficiency

The MBL400C is a medium-range LED flashing lantern, with a great optical efficiency, providing light beams with high accuracy. Its luminous source consists of high-intensity LED diodes, obtaining a maximum range of 17 nautical miles.

Minimal maintenance

Intended to be placed in on-shore aids-to-navigation locations, such as poles and towers, requiring a minimal maintenance, as well as hard-to-reach sites or under extreme environmental conditions.

High-accuracy lens

Equipped with a high precision lens made of UV resistant acrylic and protected by an impact resistant tempered glass lens cover. Manufactured with high-quality and resistant materials, the MBL400C provides a long service life under harsh marine conditions.

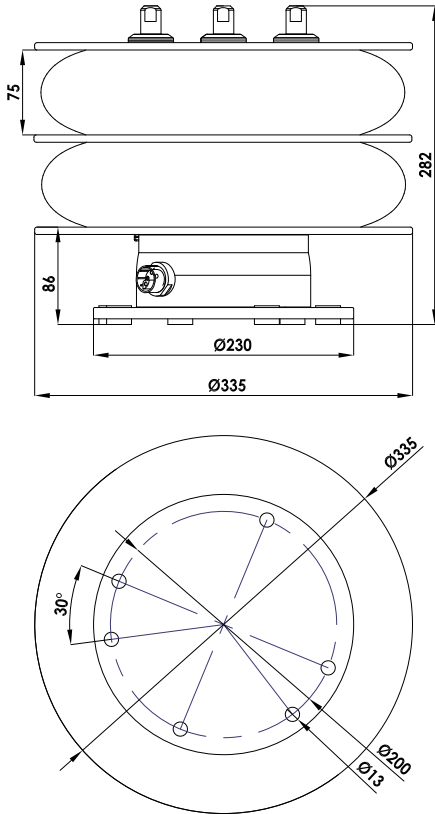
Designed according to IALA Recommendations.



FEATURES

- *State-of-the-art LED technology.*
- *High-efficiency luminous system.*
Up to 17 nm ($T=0.74$), 26 nm ($T=0.85$).
- *Vertical divergence 2° (50% I_0).*
- *Circular acrylic lens UV stabilized.*
- *Average operation lifetime over 15 years.*
- *Photocell adjustable in lux.*
- *IP 67 watertightness degree (immersion resistant).*
- *Linear adjustment of luminous intensity.*
- *Double RS-232 serial port for setting adjustments by PC and remote monitoring system.*
- *Programming, configuration and operating status via PC, IR programmer or Bluetooth.*
- *Short-circuit, reverse-polarity, over-temperature and transient over-voltage protections.*

MBL400C



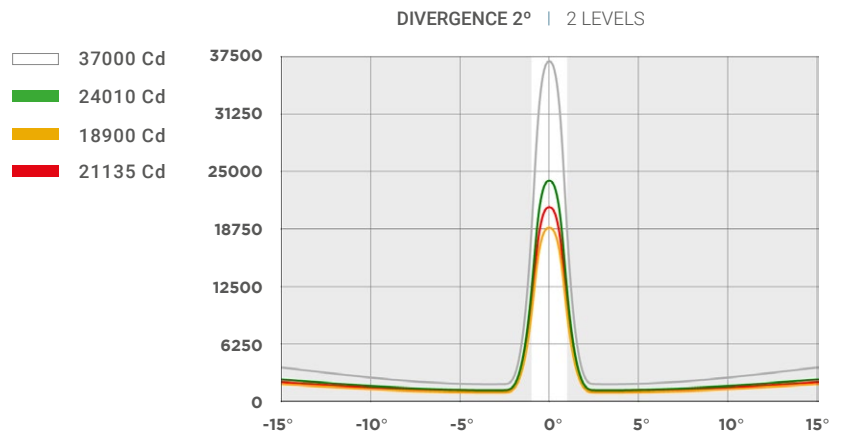
Technical Features

Light source:	36 nos. ultra-bright LED diodes, distributed circularly (360°) in up to two levels.
Luminous range:	Up to 17 nm (T=0.74) 26 nm (T=0.85).
Vertical divergence:	Up to 2° (50% I ₀).
LED average life:	More than 100.000 hours.
Power supply:	From 10 to 36 V.
Lantern consumption:	48 W per level.
Flash rhythms:	256 (6 nos. user selectable).
Base:	Hard anodized aluminium.
Watertightness degree:	IP 67.
Programming:	PC, Bluetooth, or IR programmer.

Options

- Removable AISI 316 stainless steel bird deterrent.
- PC programming kit.
- RS-485 MODBUS serial port.
- Other specifications available under request.
- MBL400C-SYNC (GPS synchronisation).
- MBL400C-TG (GSM remote monitoring).
- MBL400C-TR (Radio remote monitoring).
- MBL400C-TS (Satellite remote monitoring).
- MBL400C-AIS (AIS AtoN).

Peak intensities (Cd)



I Specifications subject to change without previous notice.