

MBR300L

State-of-the-art LED Technology

The MBR300L is a medium and long-range rotating beacon, fitted with state-of-the-art LED instead of marine lamps. This provides a low-consumption and low-maintenance beacon for more than 100,000 hours. It is ideally designed for isolated solar installations, able to reach up to 21 nautical miles.

Minimum maintenance

Its compact design includes a step-by-step rotating motor and an electronic control unit inside the lantern, thus completing a watertight beacon easy to install and with minimum maintenance.

Long service life

High-quality and resistant manufacturing materials, such as glass and marine aluminium, provide a long-service life under the harshest marine conditions.

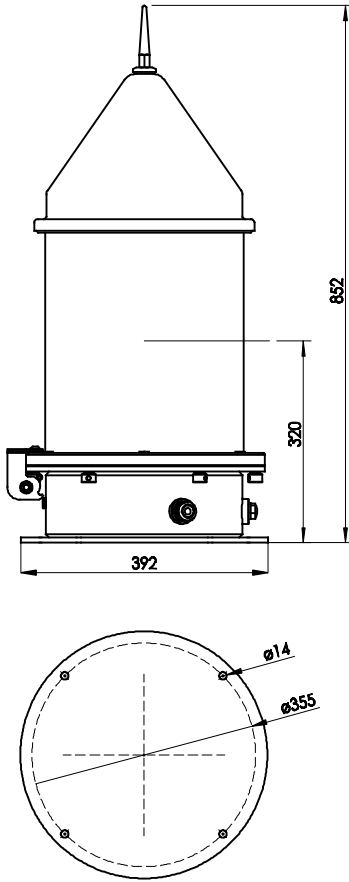
This beacon strictly meets IALA Recommendations.



FEATURES

- *State-of-the-art LED technology.*
- *Maximum-efficiency luminous system.
Up to 21 nm (T=0.74), 32 nm (T=0.85).*
- *Up to 10 W power consumption.*
- *Average operation lifetime over 15 years.*
- *No lampchanger needed.*
- *Compact design.*
- *Maintenance-free, brushless direct-drive motor.*
- *Rotating speed programmable from 0.5 to 10 rpm.*
- *Status and alarms available for remote monitoring, by opto-isolated signals and RS-232 serial port.*
- *Short-circuit, reverse-polarity and transient over-voltage protections.*
- *Easy installation.*
- *Minimum maintenance.*

MBR300L



! Specifications subject to change without previous notice.

Optical system

Light source and Lens:	High-intensity LEDs and Fresnel lens with dioptric and catadioptric prisms.
Luminous range:	Up to 21 nm (T=0.74), 32 nm (T=0.85).
Power consumption:	Up to 10 W.
LED average life:	More than 100,000 hours.

Electronic rotating control

Rotating control:	Based on microprocessor.
Rotating speed:	Programmable by microswitches or PC. From 0.5 to 10 rpm.
Programmed rotating speeds:	64 (accuracy higher than 0.1%).
Day/night threshold:	Adjustable between 10 and 400 lux.
Input voltage:	From 9 to 36 V d.c.
Protections against:	<ul style="list-style-type: none"> · Short-circuit. · Reverse polarity. · Transient over-voltage.

Rotating motor

Type:	Brushless d.c. direct-drive, step-by-step motor.
Consumption:	100 mA.
Average life:	More than 15 years.

Materials and environment

Lantern:	Marine aluminium, with polyurethane finishing.
Lens cover:	Tempered glass.
Fixings:	4 bolts in a 355 mm diameter.
Watertightness degree:	IP 66.
Humidity resistance:	100%. Pressure-compensation valve to avoid condensation.
Temperature range:	From -30° to 70°C.

Options

- Other colours available.
- Special vertical divergence up to 60°.
- A.c. power supply.
- Remote monitoring modules.
- RS-485 MODBUS serial port.
- Other specifications available under request.
- MBR300R version with LED light source and Fresnel lens as an option.
- MBR300X version with xenon lamp and Fresnel lens as an option.
- MBR300HI version with halide lamp and Fresnel lens as an option.
- MBR300-S sectorised version available.

MBR300L

Rotating speed (rpm)	High intensity LED lamp (10 W)								
	Stationary Intensity I _e (White): 203,000 Cd								
	0.5	1	1.5	2	2.5	3	4	5	6
Effective Intensity I _e (Cd)	134,424	110,175	93,680	82,042	73,032	65,913	55,339	47,824	42,184
Nominal range (nm) (T=0.74)	21	20	20	19	19	19	18	18	18

