

MLL18

Designed to replace halogen lamps

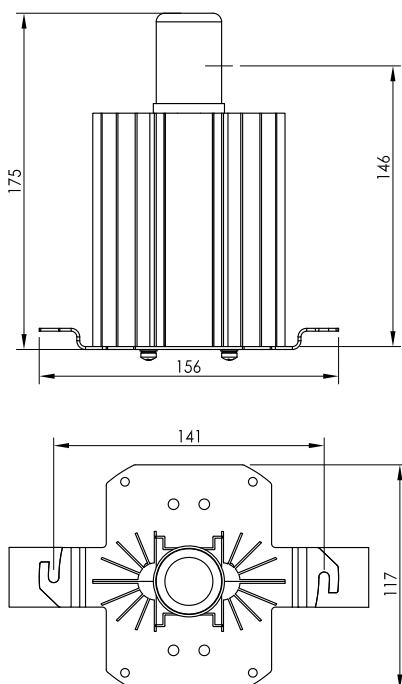
The MLL18 LED lamp has been designed to replace halogen lamps and lampchangers in old flashing lenses of 155-, 250- and 300-millimetre diameter.

Average life of 100,000 hours

With up to 18 W power, it allows to equal and even surpass the intensity obtained by conventional lamps, with the additional advantage of an average life of 100,000 hours, what means a free-maintenance use over 25 years. Its luminous source is fitted with 6 nos. LED diodes of high intensity.

Optimization of the power supply system

Its dimensions and power system allow an immediate replacement without need of any beacon modification. Exceptional thermal management and LED drivers guarantee an optimum efficiency all its life time. MLL18 lamp low power allows an optimization of the power supply system, with the consequent economical savings.



Specifications subject to change without previous notice.

FEATURES

- Luminous range according to the lens used.
- Accurate lamp positioning.
- Average lifetime of 100,000 hours.
- Anodized aluminium diffuser.
- LED driver circuit incorporated.
- Terminal bolts in stainless steel.
- Corrosion resistant.
- Standard colours according to IALA Recommendations.
- Standard or customized fixing bridge.
- Compatible with a wide range of flashing lanterns.
- Optimum operation with our MF12 special flasher for LEDs.
- Monitoring and remote control.